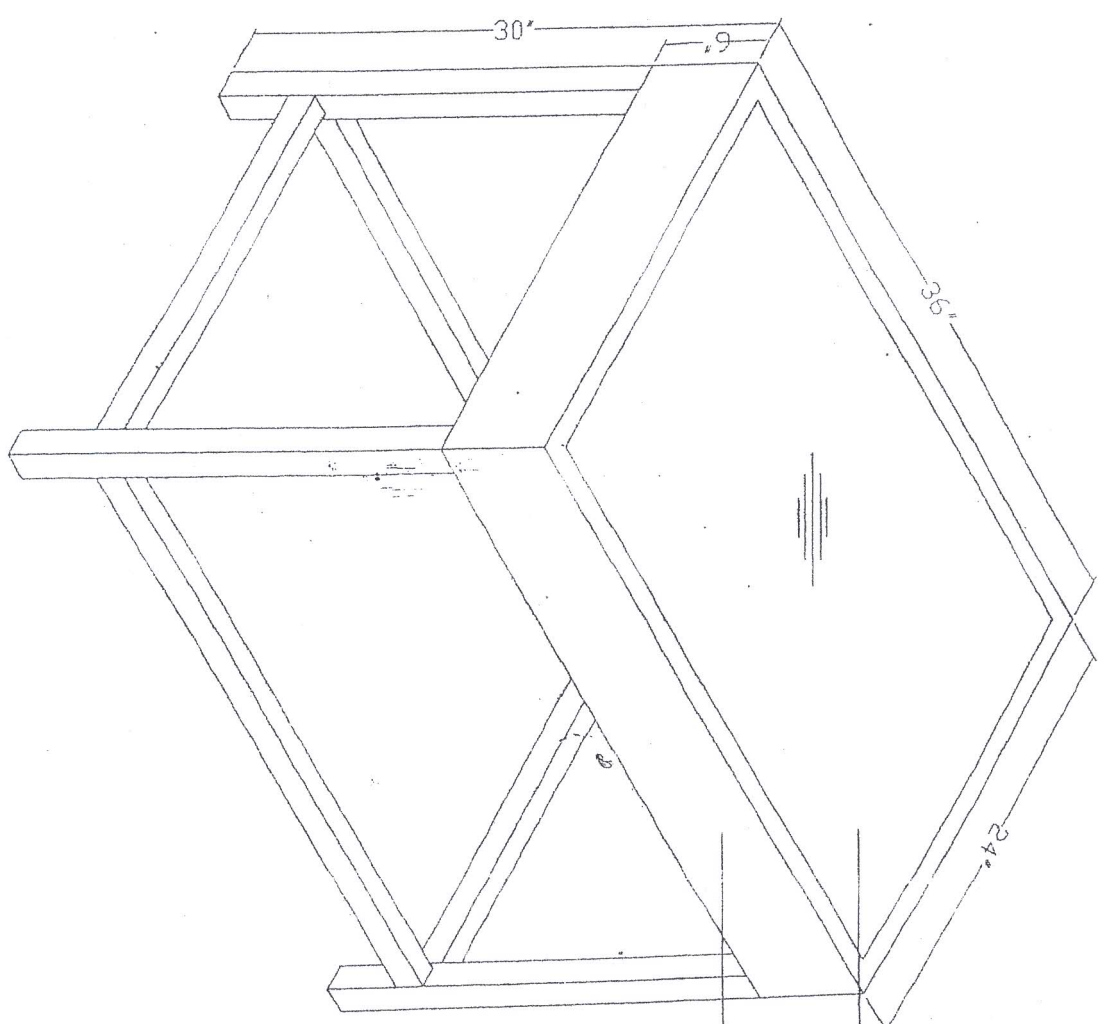


25
7

DRG. NAME
S/NO:
DATE

LIGHT TRACING TABLE
17
20 02 2000

MATERIAL: WOOD



WHITE SMOKE GLASS
(8MM) WITH FIXED WITH
TOP COVER (OPENABLE
COVER)
3 NOS. SMALL TUBE LIGHT
FITTINGS

7

8

NOTES