

राष्ट्रीय फैशन टेक्नालॉजी संस्थान

(वस्त्र मंत्रालय, भारत सरकार द्वारा स्थापित एवं निफ्ट अधिनियम, २००६ के तहत एक सांविधिक निकाय)
(आईएसओ ९००१:२००८ मान्यता प्राप्त)

National Institute of Fashion Technology

(A Statutory body under the NIFT Act 2006 and setup by Ministry of Textiles, Govt. of India)
(An ISO 9001:2008 Certified Institute)

Date: 05/07/2018

Sub: Rate Inquiry for Purchase of Big and Square Revolving Soft Board

Ref.no.8627-12(07)/TD/CB/Purchase-Soft Bard-Square (Revolving)/2018

We have the pleasure to invite your rates for the Purchase of Revolving Soft Board. Rate must be quoted in this format in this inquiry letter only.

Sr.	Description	Quantity	Rate Amt.(Rs.)	Total amount (Rs.)
1	Soft Board Big (Revolving) (Specification as attached herewith)	40		
2	Soft Board Square (Revolving) (Specification as attached herewith)	10		
Total				
Taxes & Other charges, if any				
Total inclusive of all charges				

Terms & Conditions:

1. Your tender must be sent to the Purchase department in closed envelope marked with "Tender for Purchase of Big and Square Revolving Soft Board" or else liable to be rejected.
2. Last date of receipt of sealed tender documents is 27th July, 2018 by 3:00 P.M. and will be opened on same day at 04:00 PM.
3. The tender should be submitted in sealed cover along with EMD of Rs.8500/- (Rupees Eight Thousand Five Hundred only) in form of DD/ pay order drawn on schedule bank in favor of "NIFT, Gandhinagar" payable at Gandhinagar/Ahmedabad.
4. Tenders without tender fees, EMD and which do not fulfill all or any of the conditions of tender document shall be rejected outright. Tender with incomplete details is liable to be rejected subject to decision of NIFT.
5. The Firm should have enclosed self- attested photo copies of PAN Number and GSTIN (if applicable).
6. The rate offered must be filled in the Performa of the rate inquiry letter. Any correction should be initialed by the tenderer in the rate inquiry letter liable to be rejected.
7. Rates should be offered unconditionally and if rates are submitted with any condition the tender liable to be rejected.
8. The quoted rates will be inclusive of all taxes and other charges if any, nothing shall be paid extra.



Signature & name of authorised person of quoting party with the Seal of firm
Date:- / /2018

A Premier Institute of Design, Management & Technology

NIFT Campus, GH-0 Road, Gandhinagar-382-007, Gujarat. (India)

t +91 79 23265000, +91 79 23240832, +91 79 23240834 | f +91 79 23240772 | e jointdirector.gandhinagar@nift.ac.in

www.nift.ac.in

9. L1 agency will be decided based on total amount quoted by bidders.
10. **10 % of security deposit** shall be held with NIFT, Gandhinagar for 1 year and released after satisfactory performance with no defect condition without any interest.
11. The EMD of the successful Bidder shall be released /adjusted after deposition/ adjustment of required security deposit amount.
12. The EMD of the bidder will be forfeited if the bidder misleads NIFT during the course of evaluation of the tender by providing false and misleading information or backs out after being declared as L1 Agency.
13. Payment will be made in the name of bidder only and not to the proprietor/partners.
14. The defective items shall be replaced by the agency without any additional charges.
15. The successful bidder will have to supply the above requirement within the define time frame of the issuance of the purchase order, failing which the firm will have to bear the entire cost of the alternate arrangement or the fine as decided by the NIFT.
16. Payment of the supply will be released after verification and satisfactorily completion of order.
17. NIFT reserves the right to reject any or all tender documents without assigning any reason thereof.
18. NIFT Gandhinagar reserves the right to change the quantity/ upgrade the criteria/ drop any item or part thereof/ extension of delivery date at any time before placing the purchase order.
19. In case of any dispute raised by the supplier, a representation will be made only by the authorized representative of the supplier and the decision of the Director NIFT – Gandhinagar will be binding on the supplier.
20. In case of any dispute the Jurisdiction of Court will be Gandhinagar.

N.B. Vaishnav
(N.B. Vaishnav)
Joint Director



Signature & name of authorised person of
quoting party with the Seal of firm
Date:- / /2018

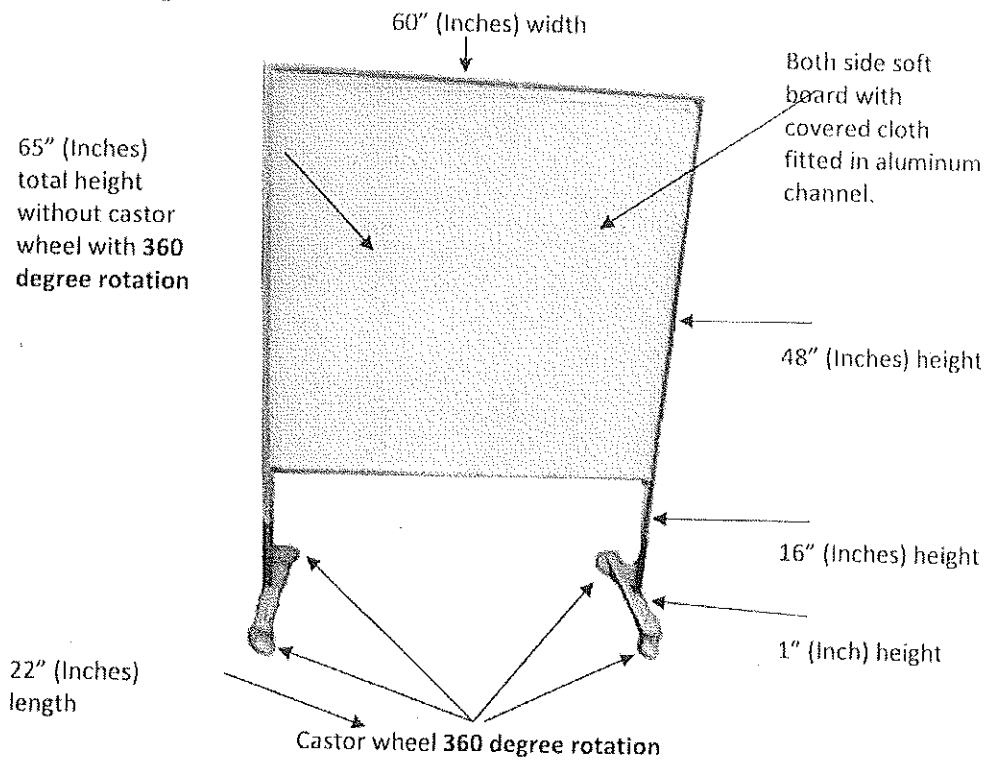
Capital Budget BE 2018-19:

Specifications:

Item	Soft Board – Big (Revolving)
Qty.	20
1	Soft board size 60" x 48" (without metal frame)
2	Color of metal frame – Orange powder coated

Specifications

1. Revolving Soft Board




(Manish Bhargava)
Assoc. Prof. & Centre Coordinator
Textile Design Department
13th June 2018



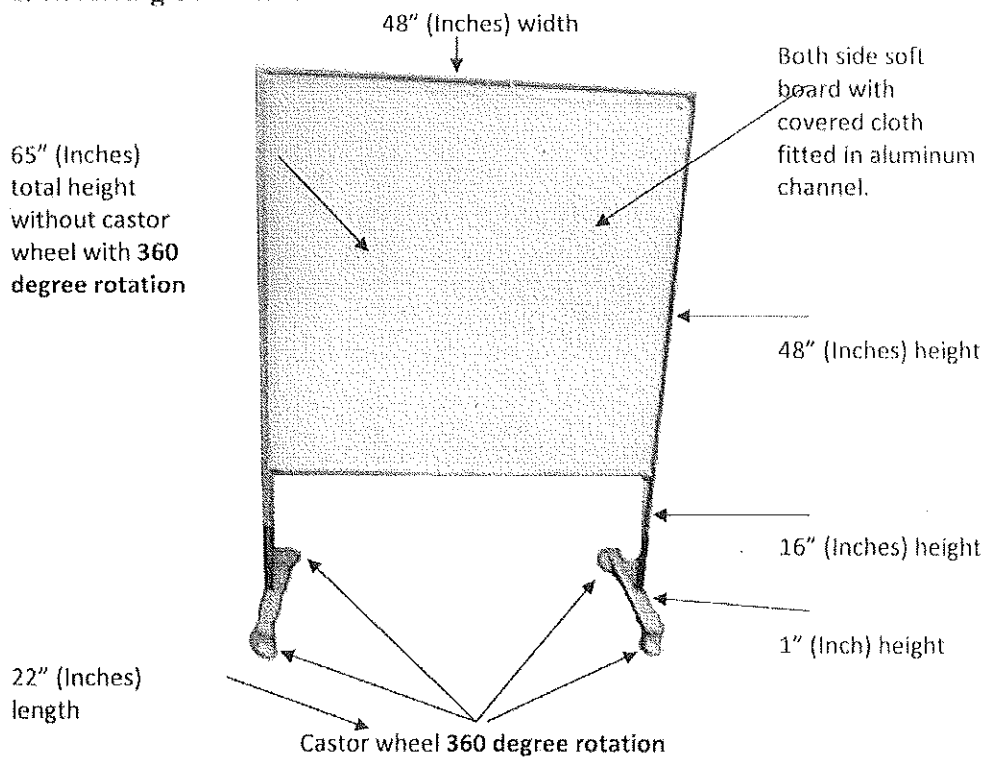
Capital Budget BE 2018-19:

Specifications:

Item	Soft Board – Square (Revolving)
Qty.	10
1	Soft board size 48" x 48" (without metal frame)
2	Color of metal frame – Orange powder coated

Specifications

1. Revolving Soft Board




(Manish Bhargava)
Assoc. Prof. & Centre Coordinator
Textile Design Department
13th June 2018

